

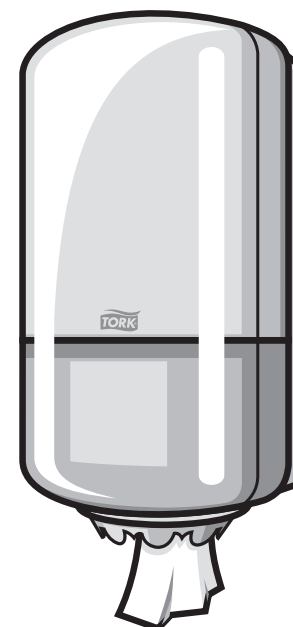
European Community Design Registration RCD 000929971

2012-12-05

# Mini Centrefeed Dispenser

M1

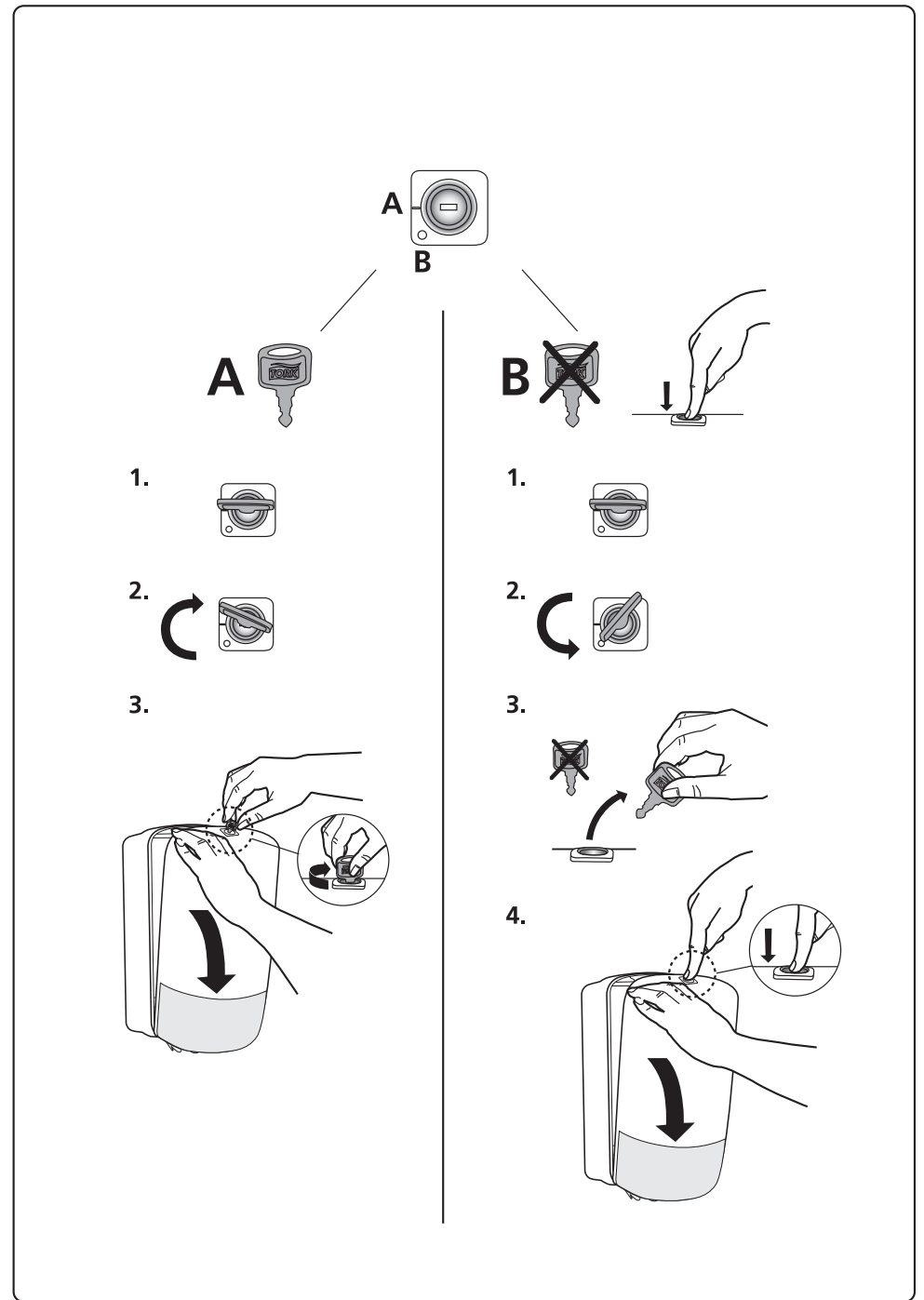
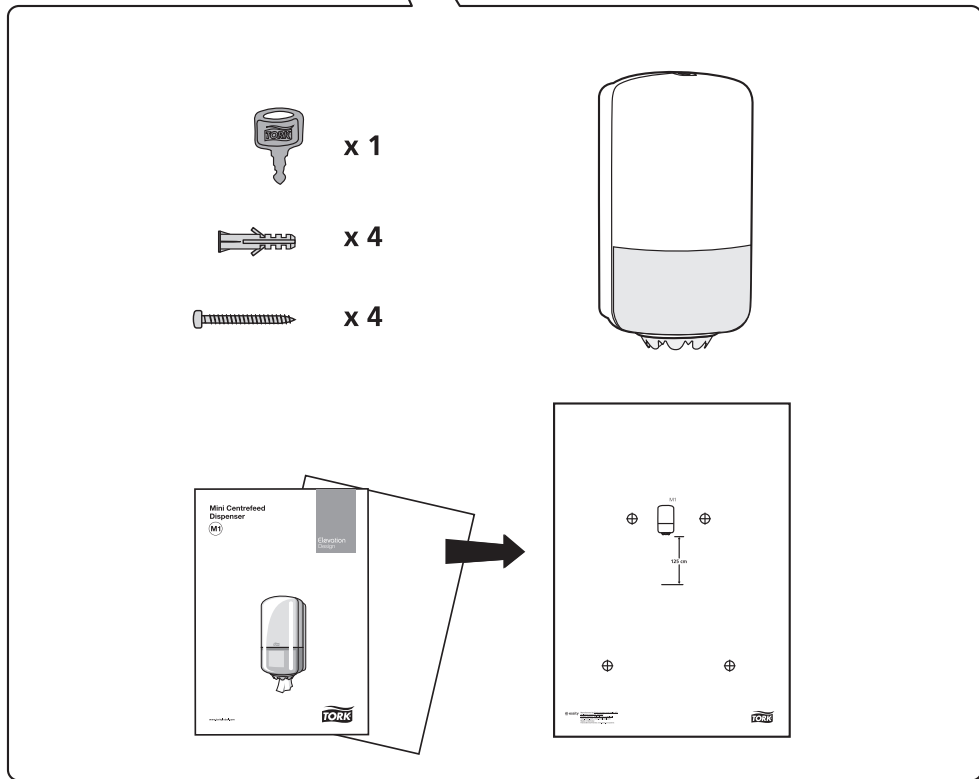
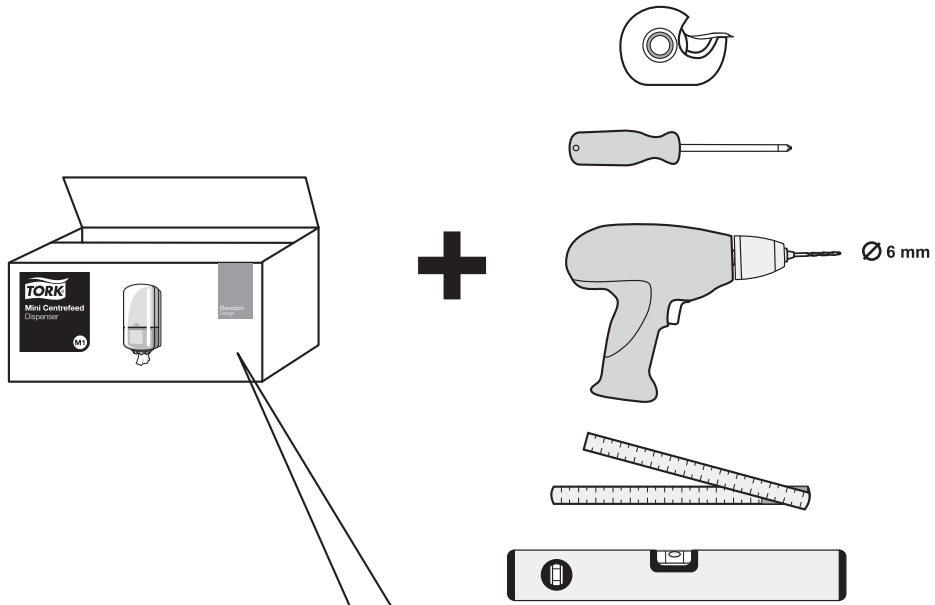
Elevation  
Design



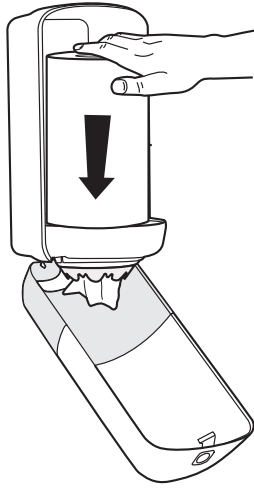
Manufactured by Essity Hygiene and Health AB  
SE-40503 Göteborg, Sweden  
Visiting address: Mölndals Bro 2, Mölndal  
[www.essity.com](http://www.essity.com), [www.torkglobal.com](http://www.torkglobal.com)  
Made in Germany  
Patents/Brevets/Patentes: [www.essity.com/patents](http://www.essity.com/patents)

[www.torkglobal.com](http://www.torkglobal.com)





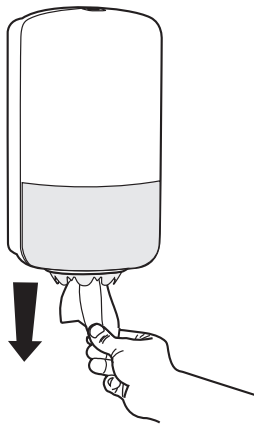
3.



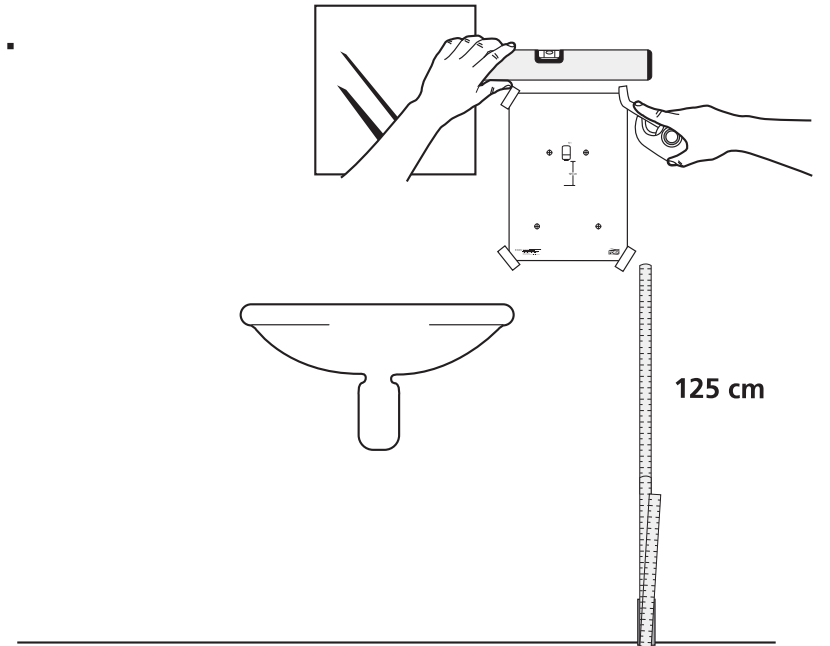
4.



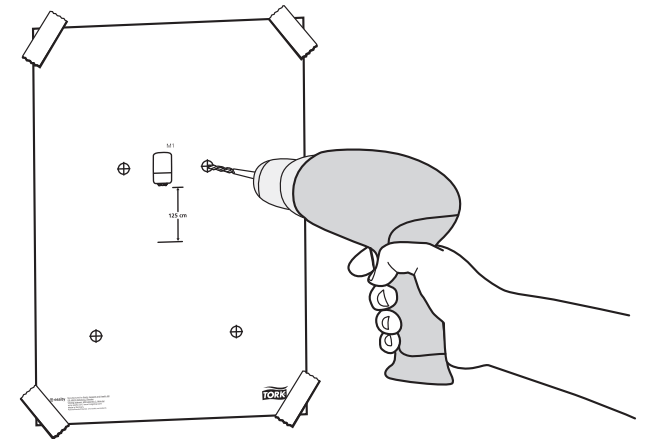
5.



1.



2.



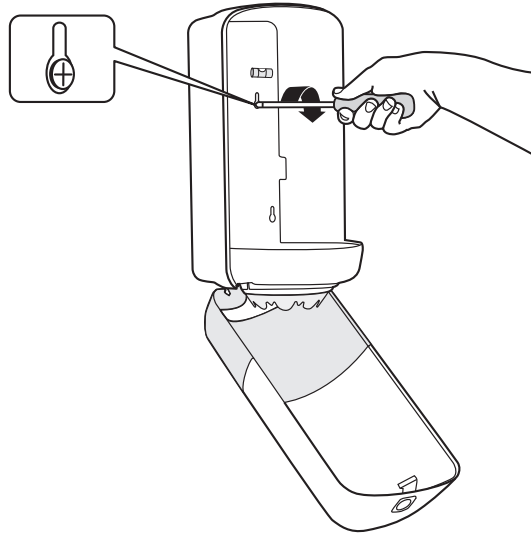
3.



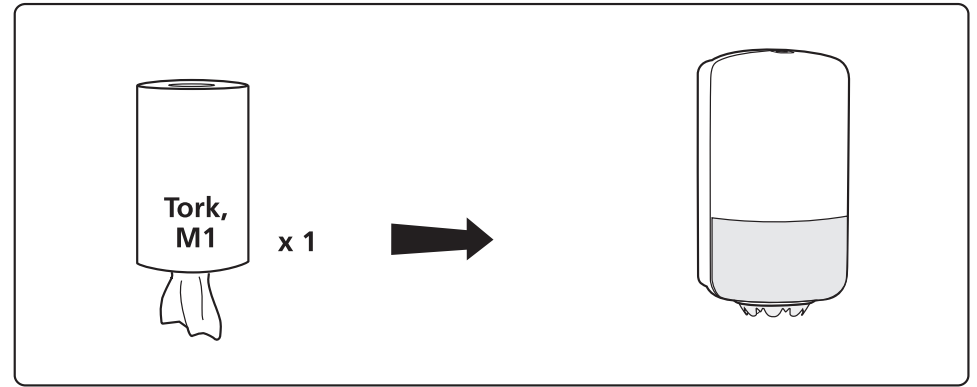
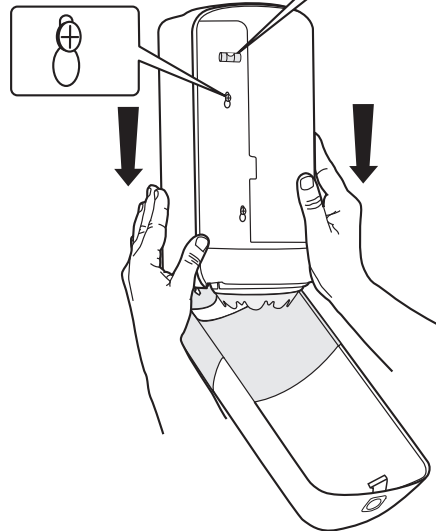
x 4



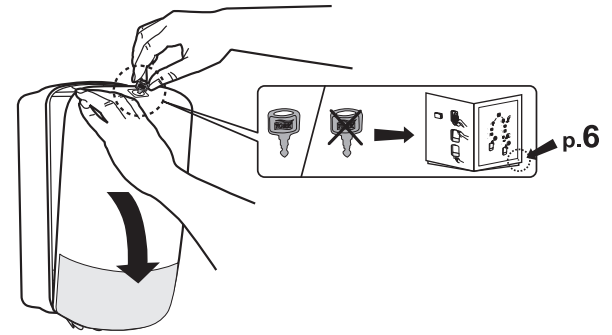
x 4



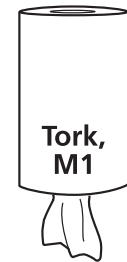
4.



1.



2.



x 1

